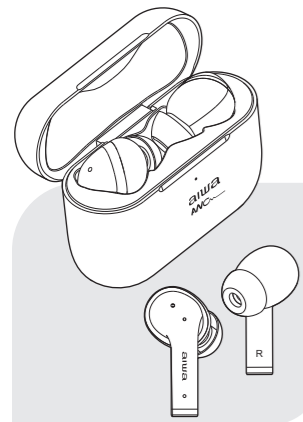


# aiwa®

Japan est1951

## EBTW-888ANC



QUICK GUIDE

EN

GUÍA RÁPIDA

ES

GUIDE RAPIDE

FR

KURZANLEITUNG

DE

GUIDA RAPIDA

IT

+22

### ANC TWS EARPHONES

# aiwa®

Japan est1951

Follow us! aiwaEU



www.eu-aiwa.com

AIWA CO., LTD.  
Kita-Ku  
TOKYO 115-0045, JAPAN

©AIWA EUROPE S.L.  
All Right Reserved.

Printed in P.R.C.



ED06ED00 V.4

## EBTW-888ANC



10MM DYNAMIC  
N40 NEODYMIUM  
MAGNET



ERGONOMIC  
IN EAR DESIGN



ALUMINIUM  
HOUSING



HI-FI STEREO  
WITH DEEP BASS



WEIGHT 14,70G

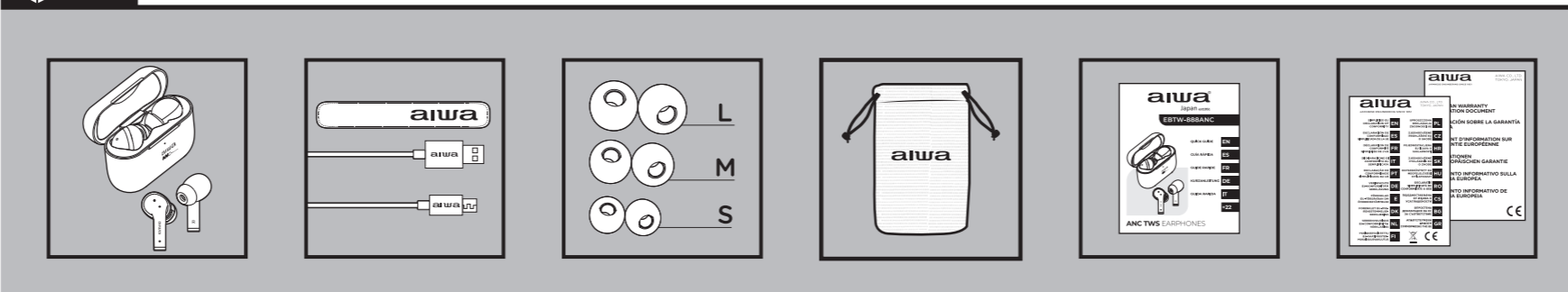


HANDS-FREE  
CALLING

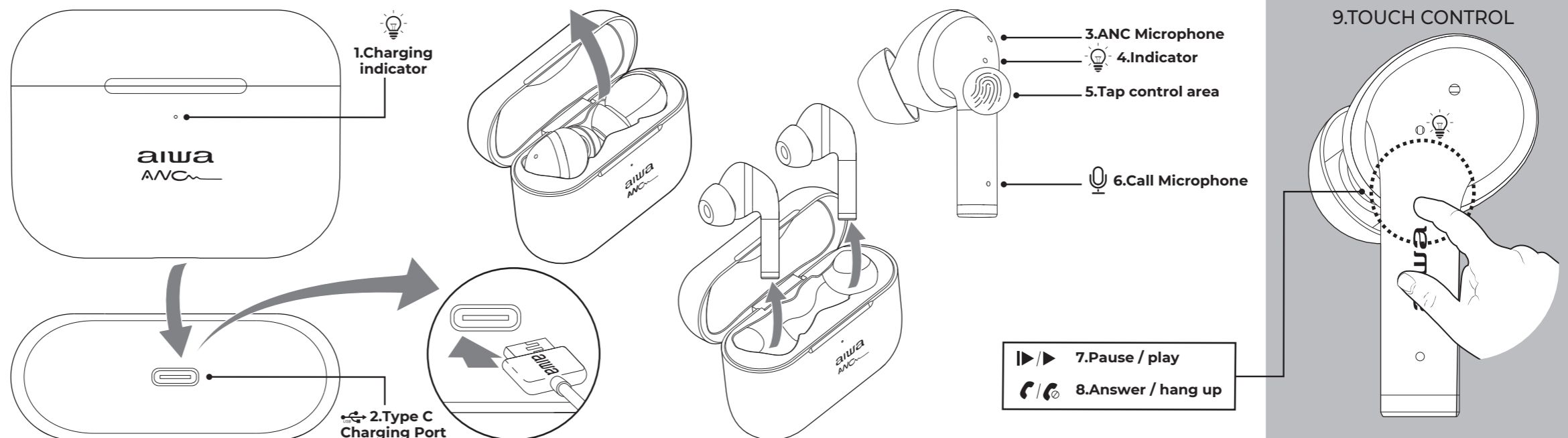


CARRYING POUCH,  
MIC CLIP & VELCRO  
INCLUDED

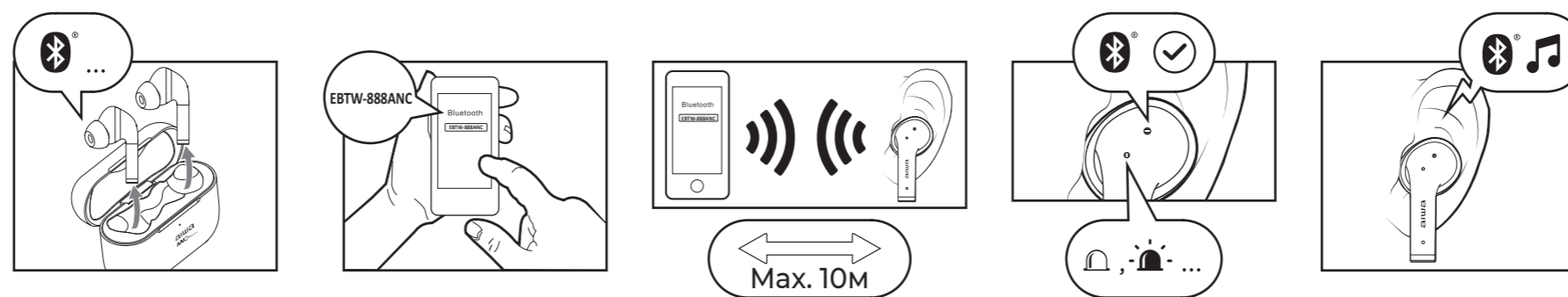
### 01. WHAT'S IN THE BOX?



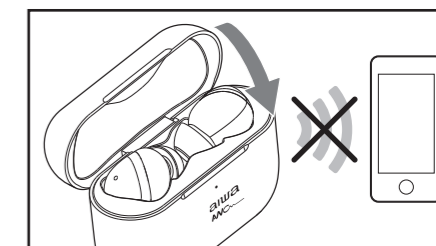
### 02. OVERALL VIEW



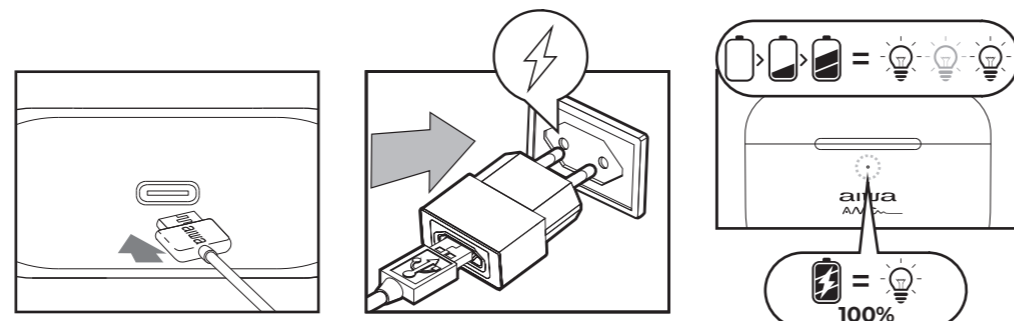
### 03. CONNECTING MOBILE DEVICE TO EARPHONES



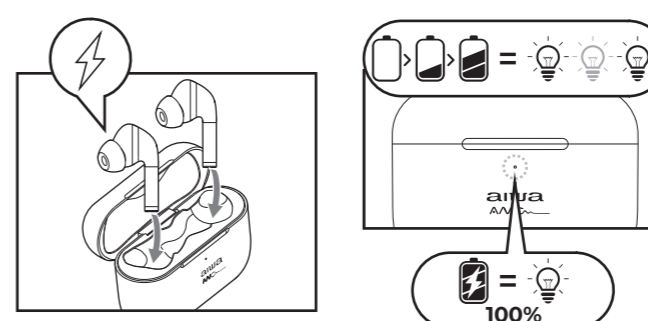
### 04. POWER OFF



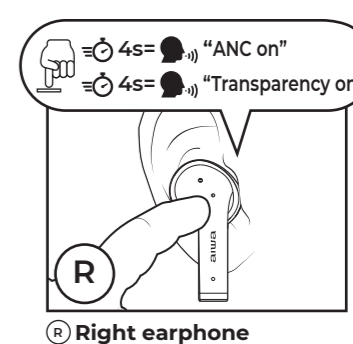
### 05. CHARGING THE CASE



### 06. CHARGING THE EARPHONES



### 07. ANC ON / OFF



## + aiwa



www.eu-aiwa.com

