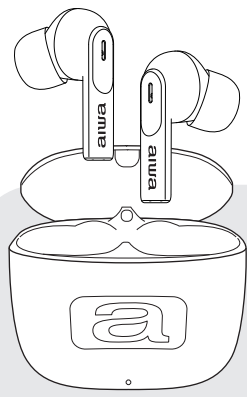


# aiwa®

Japan est1951

**EBTW-200**



QUICK GUIDE **EN**

GUÍA RÁPIDA **ES**

GUIDE RAPIDE **FR**

KURZANLEITUNG **DE**

GUIDA RAPIDA **IT**

**+22**

**METAL CASE TWS EARPODS**

# aiwa®

Japan est1951

Follow us! aiwaEU



www.eu-aiwa.com

AIWA CO., LTD.  
Kita-Ku  
TOKYO 115-0045, JAPAN

©AIWA EUROPE S.L.  
All Right Reserved.

Printed in P.R.C.



ED06ED00 V.5

**EBTW-200**



HANDS-FREE CALLING



AUTO SYNCHRONIZED



TRUE WIRELESS STEREO

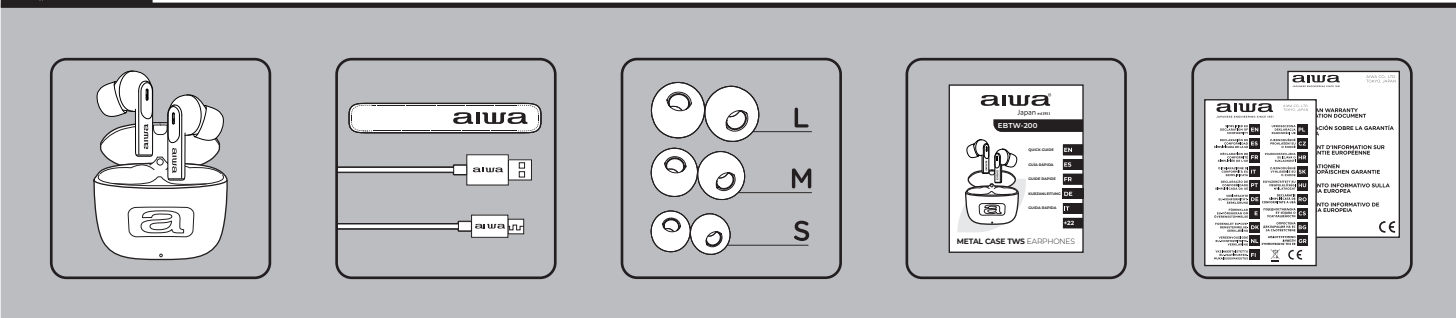


DSP  
DIGITAL SIGNAL PROCESSOR

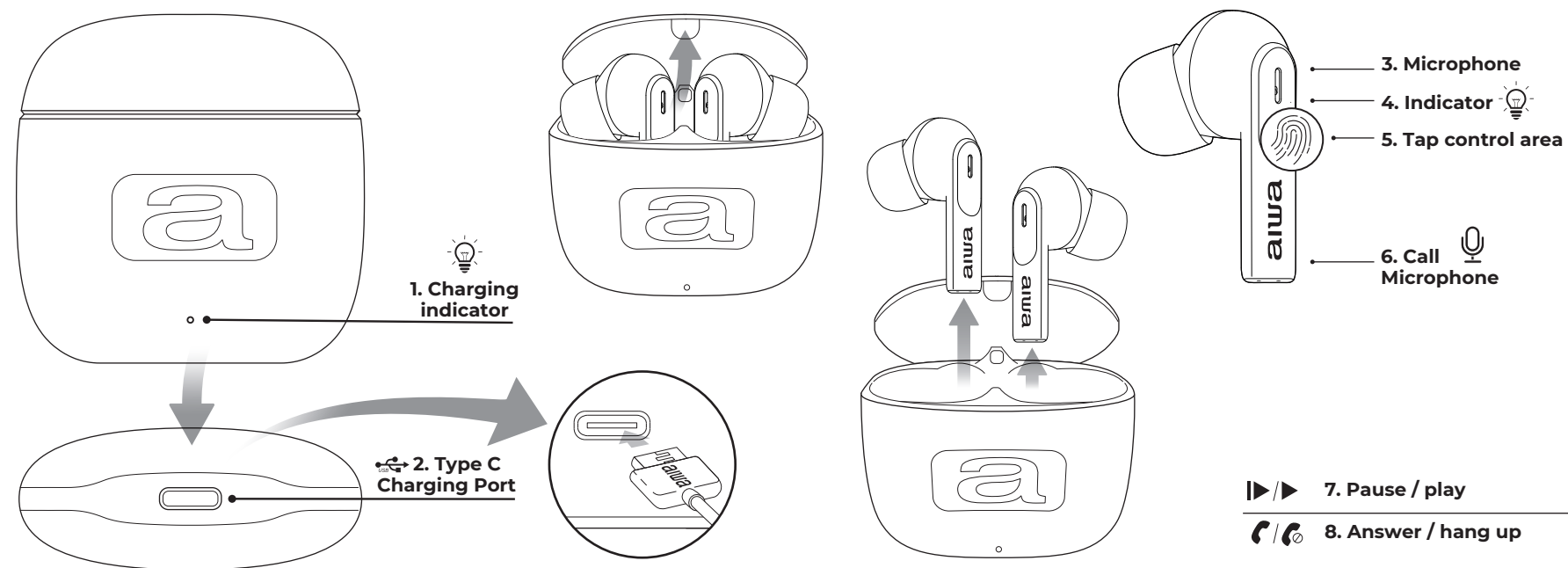


USB-C CHARGING

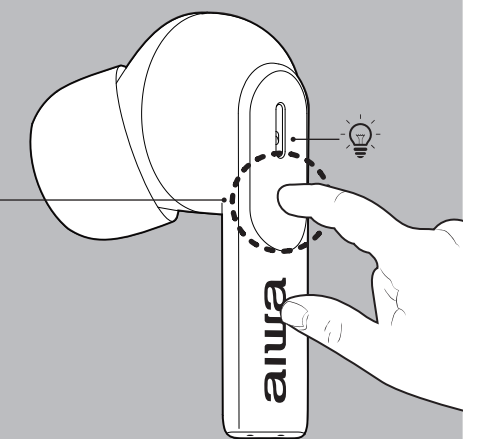
## 01. WHAT'S IN THE BOX?



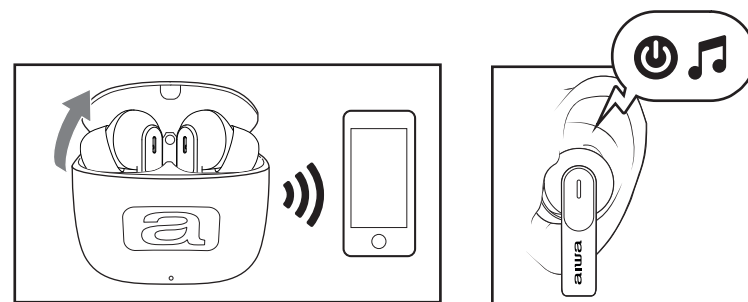
## 02. OVERALL VIEW?



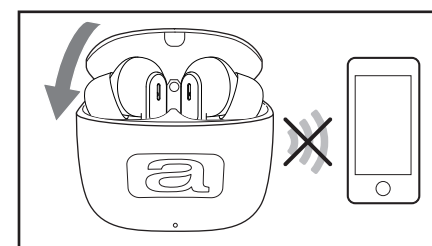
## 9. TOUCH CONTROL



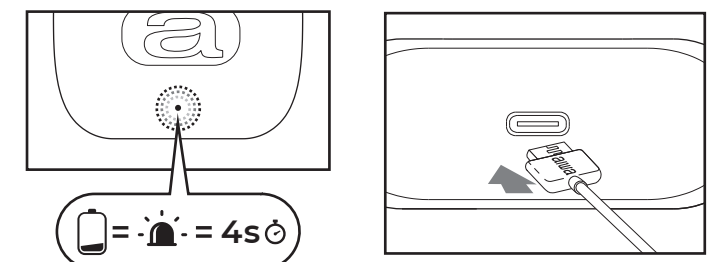
## 03. POWER ON



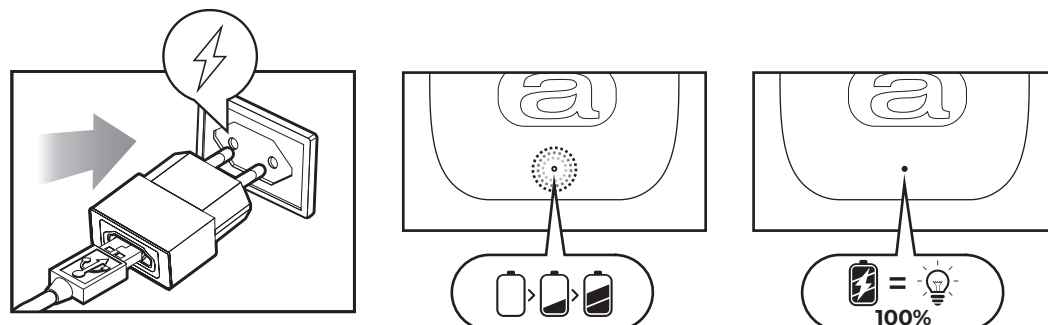
## 04. POWER OFF



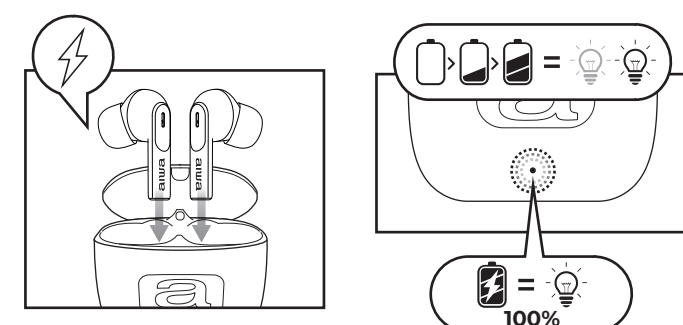
## 05. CHARGING THE CASE



## 05. CHARGING THE CASE



## 06. CHARGING THE EARPODS



### THE CASE

LED COLOR	PROPERTY	Indicator
ORANGE	CHARGING	Light on
ORANGE	FULL CHARGED	Light off
ORANGE	LOW BATTERY	Light - 4s
WHITE	OPEN/CLOSE	Light - 4s

### THE EARPODS

WHITE	PAIRED	Light on
WHITE	CHARGING	Light - 4s

