

aiwa®

Japan est1951

APX-1200BT

QUICK GUIDE EN

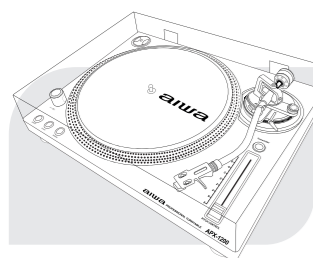
GUÍA RÁPIDA ES

GUIDE RAPIDE FR

KURZANLEITUNG DE

GUIDA RAPIDA IT

+25



PROFESSIONAL TURNTABLE
WITH BELT-DRIVEN STROBE WITH
PREAMPLIFIER, BLUETOOTH, AND USB PC
RECORDER

aiwa®

Japan est1951

Follow us! aiwaEU



www.eu-aiwa.com

AIWA CO., LTD.
Kita-Ku
TOKYO 115-0045, JAPAN



©AIWA EUROPE S.L.
All Rights Reserved.

Printed in P.R.C.

v3.00

APX-1200BT

2 SPEEDS
33 & 45 RPM

**BUILT-IN AUDIO
PRE-AMP**

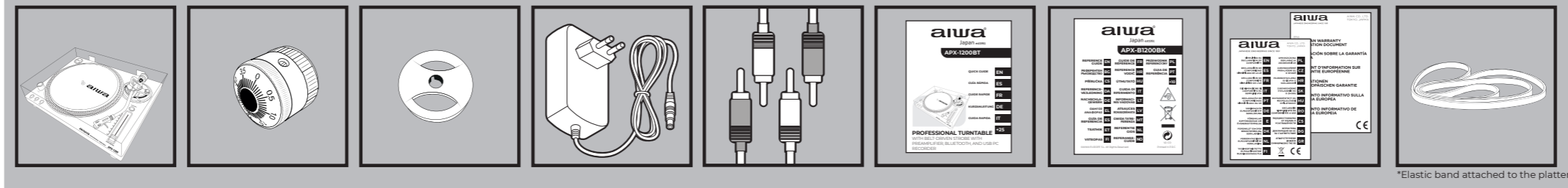
**BLUETOOTH
TRANSMITTER**

**USB
RECORDING**

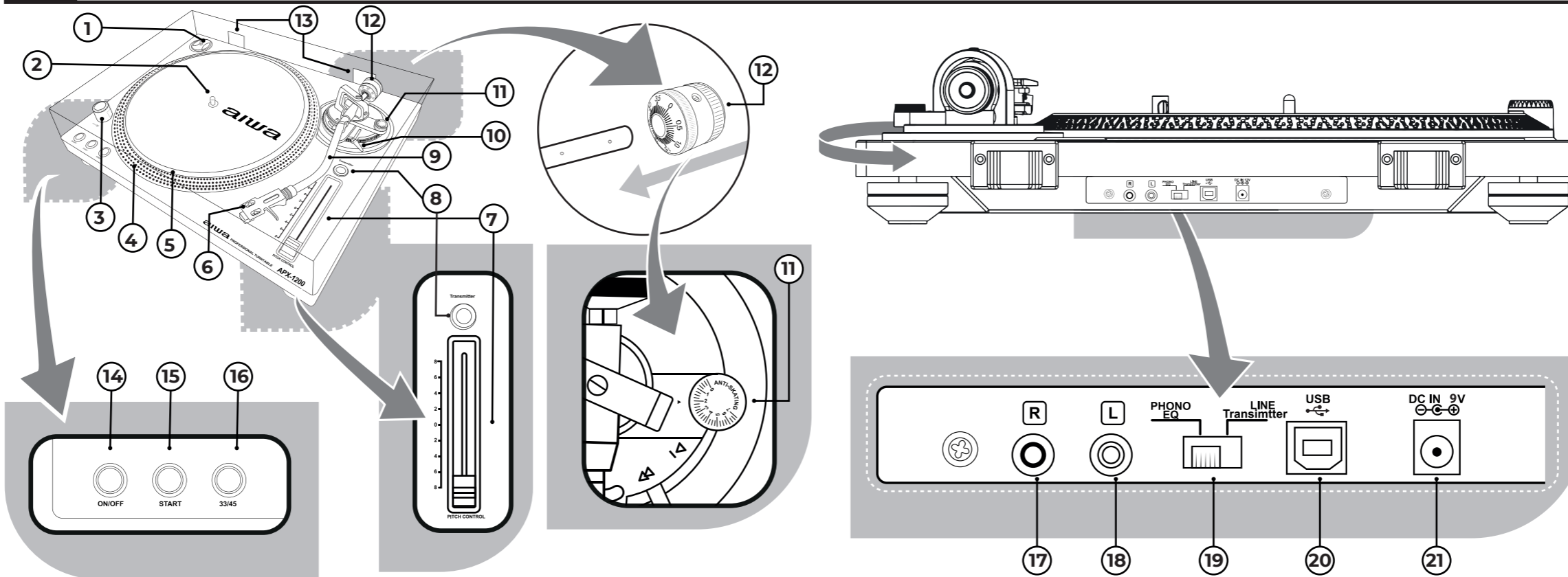
**ON
OFF
BUTTON**

**PITCH
CONTROL**

01. WHAT'S IN THE BOX?



02. OVERALL VIEW



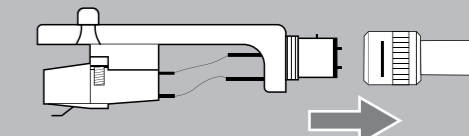
- 1. 45 RPM ADAPTER
- 2. CENTER SPINDLE
- 3. STROBES-COPE
- 4. STROBE DOTS
- 5. ALUMINUM PLATTER
- 6. CARTRIDGE
- 7. PITCH CONTROL SLIDE
- 8. BLUETOOTH TRANSMITTER
- 9. TONE ARM
- 10. CUEING LEVER
- 11. ANTI-SKATING
- 12. COUNTERWEIGHT
- 13. HINGE HOLDER
- 14. POWER ON/OFF BUTTON
- 15. PLAY/STOP BUTTON
- 16. 33/45 RPM SPEED
- 17. ANALOG AUDIO OUTPUT JACKS R
- 18. ANALOG AUDIO OUTPUT JACKS L
- 19. PHONO/LINE SELECTION SWITCH
- 20. PC ENCODING
- 21. DC INPUT CONNECTOR

+ aiwa

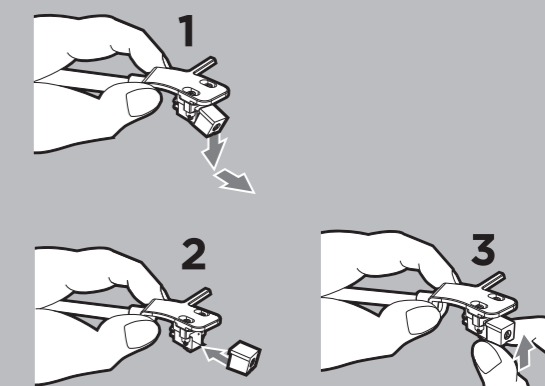


www.eu-aiwa.com

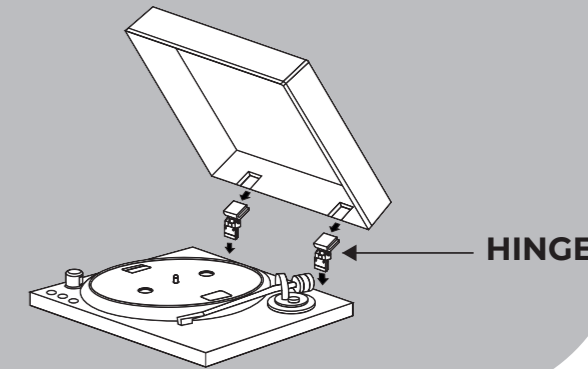
Headshell



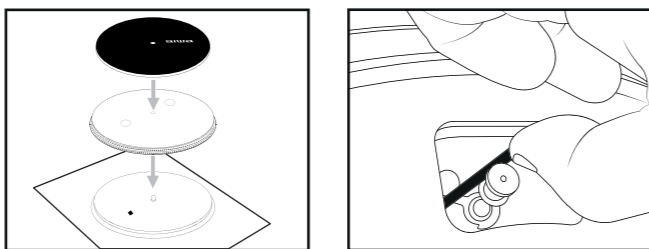
B. Cartridge & Stylus



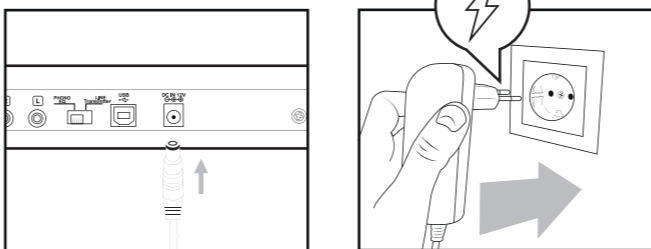
C. Turntable Dust Cover



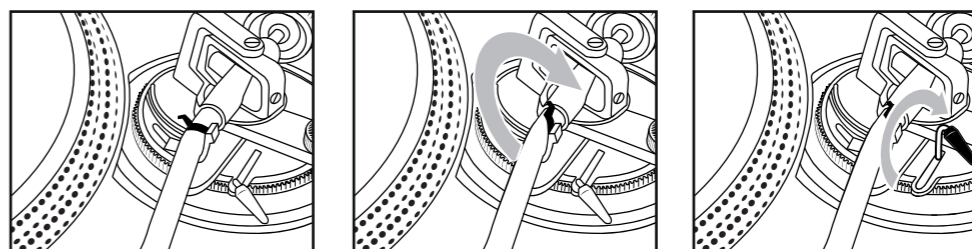
03. INSTALLATION PLATTER



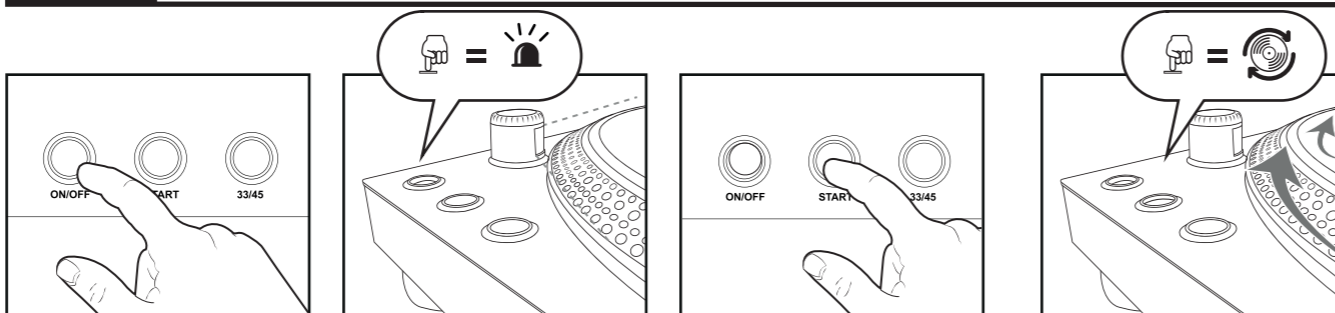
04. CONNECTION TO THE MAINS



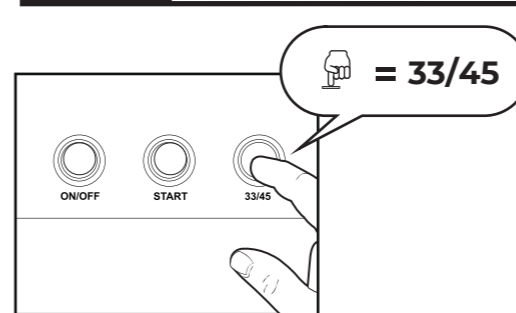
05. SECURE AND RELEASE THE TONEARM



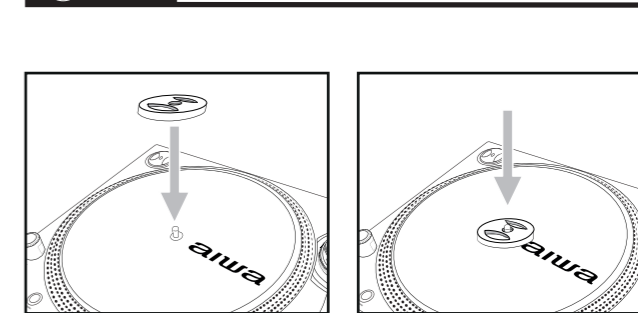
06. POWER ON / OFF / START



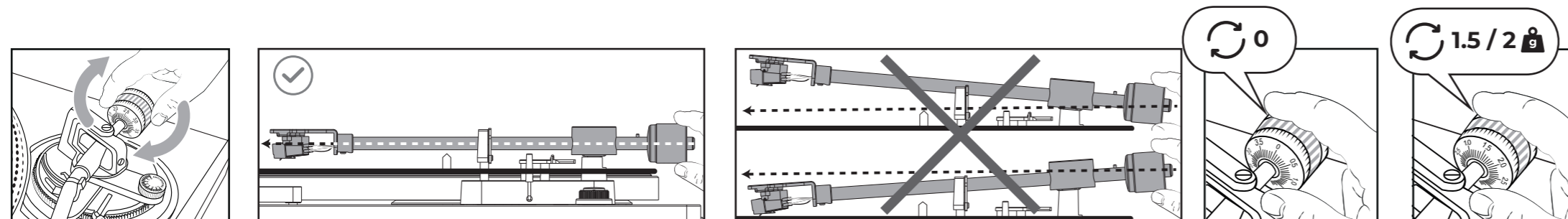
07. SPEED SELECTOR



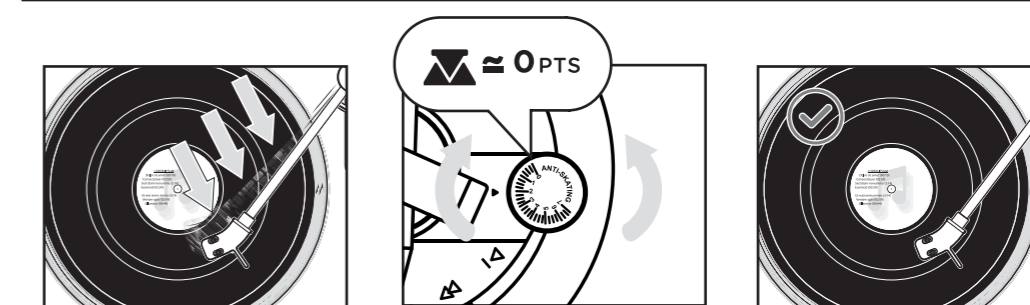
08. 45 RPM ADAPTOR



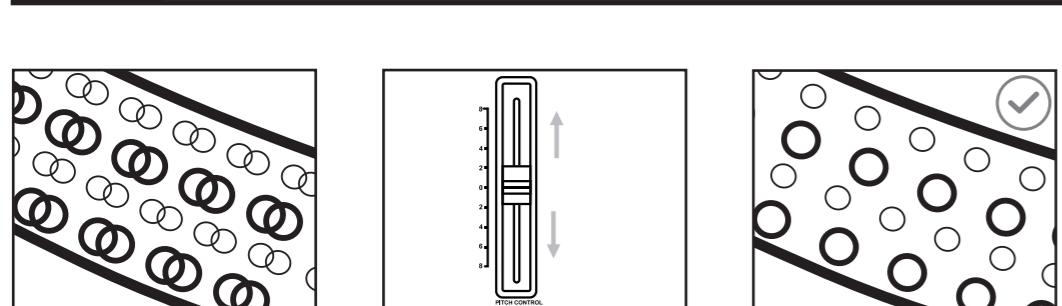
09. TONEARM WEIGHT ADJUSTMENT



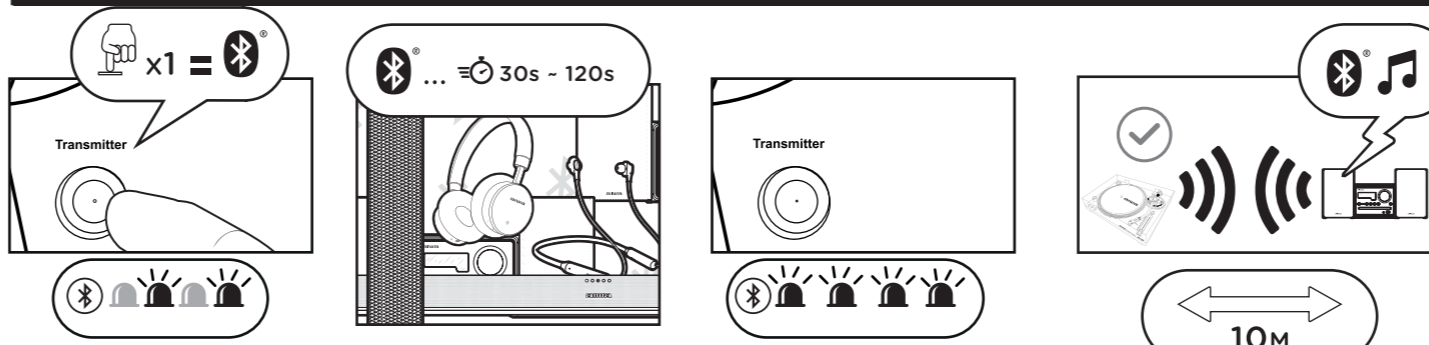
10. ANTI-SKATING ADJUSTMENT



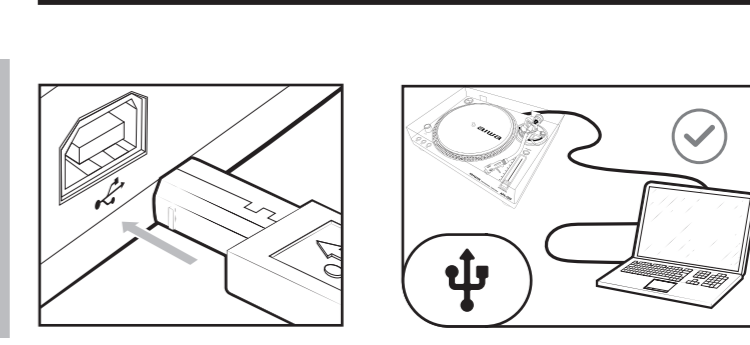
11. PITCH CONTROL



12. BLUETOOTH

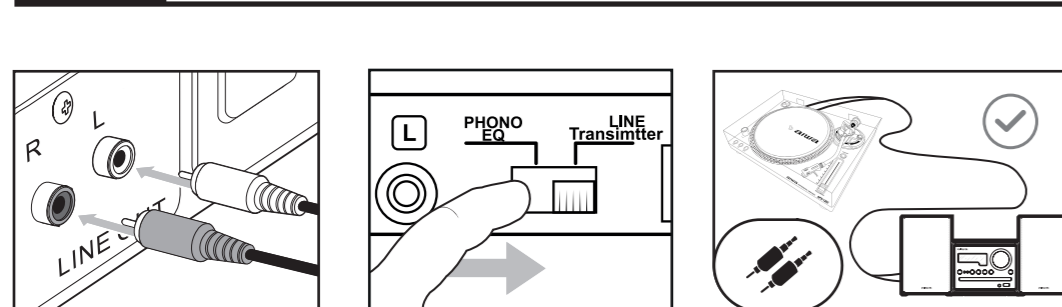


13. USB CONNECTION (FOR RECORDING)



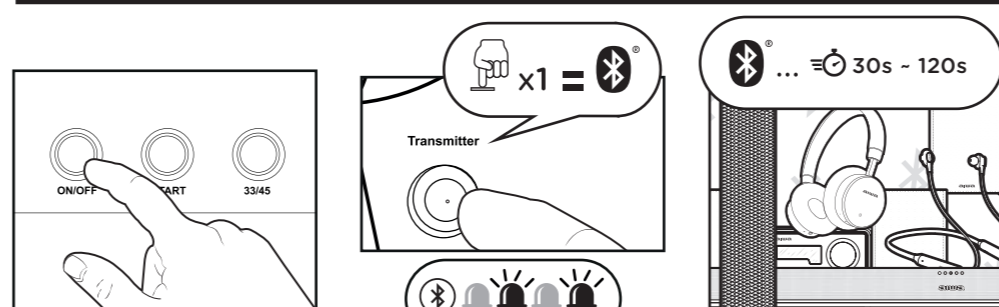
* Available with Audacity software.

14. LINE-IN (AUX INPUT) WITH PHONO



*When in PHONO function, MM cartridge signal is output directly through the analog audio output connectors (L/R). Connect to a device with phono inputs, such as a phono equalization preamplifier or an amplifier with phono input connectors.

15. LINE-IN (LINE TRANSMITTER)



CAUTION

When set to ON, if connected to the PHONO inputs of an amplifier, for example, the output from speakers and headphones will be very loud, which could damage equipment or harm hearing.

*It is LINE OUT and Transmitter function. Signals have been amplified by the built-in equalizer amp, so you can connect an amplifier with input function. But please note the caution: Do not connect to the PHONO inputs of an amplifier, otherwise, the output from speakers and headphones will be very loud, which could damage equipment or harm hearing.

